



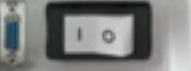
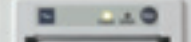


GEERONDA

0 104 80P100
0 104 80100 80P100
Tech. Assistance
Main menu

E9
MED

B type inspection



E9 Med

safety within everyone's reach

The safety of a quality sterilization
in a basic configuration.



E9 Med is easy to use: it is equipped with a special Process Controller which assists you during the daily use of the autoclave and furthermore it advises you when it's time to carry out the required maintenance interventions. All the operations displayed on the blue coloured display can be selected utilizing the simple and intuitive interactive menu with which the E9 Med is equipped.



E9 Med does not renounce safety: all its sterilization cycles are B type, in total conformity to the EN13060 norms (small steam sterilizers). E9 Med is also available with a Steam generator for an even higher performance.



ULTRASONIC CLEANER
DEIONIZED WATER

GE HEALTHCARE

1:14 100.00 100.00
MED

E9
MED

E9 Med: simplicity without any sacrifice.



Inspectionability Thanks to the easy and quick inspectionability system, the water tanks of the E9 Med can be inspected and cleaned directly by the user, without the necessity of the intervention of a specialized technician. Thanks to this expedient, the water used for the sterilization is always clean and can guarantee a quality vapour and a completely safe sterilization.



Efficiency E9 Med is constructed to guarantee an efficient sterilization and to last long. All the details which make it up contribute to a reliable functioning and without useless strains. For this reason, for example, the E9 Med is equipped with the air-water separator. This device reduces the strain of the vacuum pump and therefore it is more reliable and has a longer lifespan.

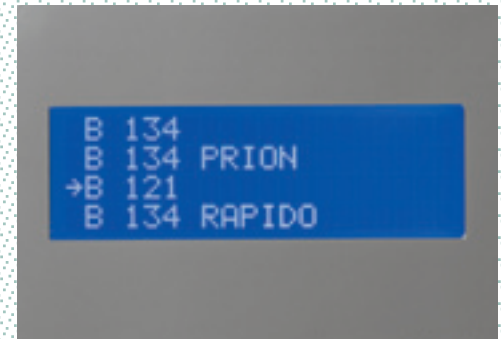
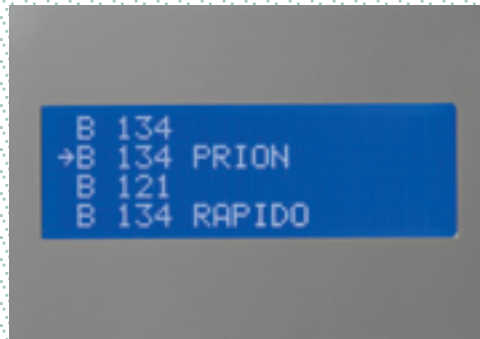
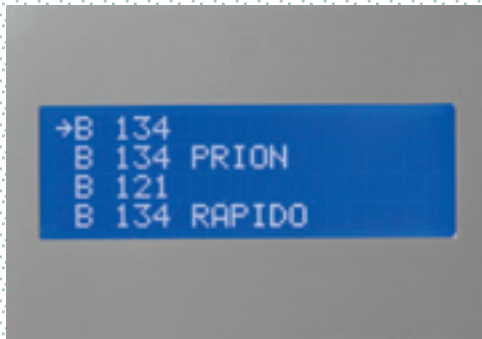


Integrated printer The thermal paper printer is integrated in the E9 Med and supplies the data relative to the type of cycle carried out, the result, the date and the name of the operator who used it. It's clear that to be able to have, when needed, the data relative to the sterilization cycles carried out, guarantees a great safety both to your activity and to your patients.



Filing The data relative to the sterilization cycles and tests carried out can be filed in a practical and functional manner through the optional E-Memory device which can memorize up to 48.000 cycles. Once the memory of the E-Memory is full, the data may be easily files on a computer and organized, according to your preferences and necessities.

E9 Med has always suited for your



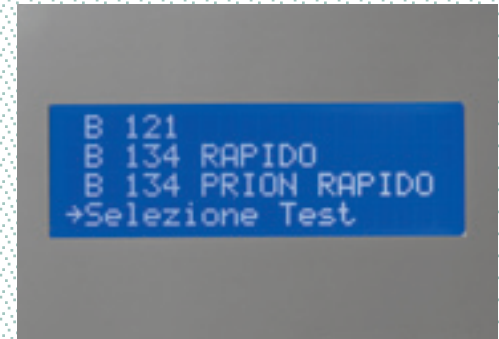
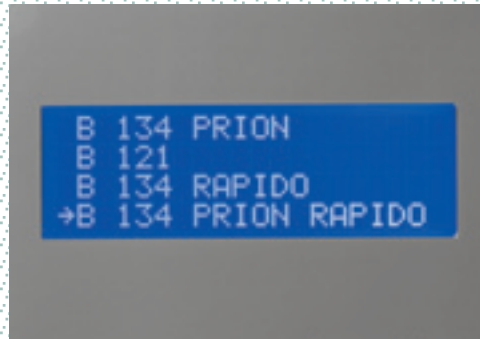
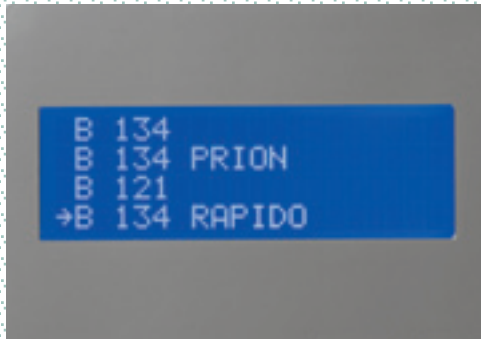
| | E9 Med / 18 ℓ | E9 Med / 24 ℓ |
|---------------------------------|-----------------|---------------|
| Temperature | 135,5°C | |
| Pressure | 2,16 bar | |
| Duration of sterilization phase | 4' | |
| Duration of dry phase | 15' | |
| Total duration average load | 57' | 56' |
| Maximum load solid/porous | 4,5 Kg / 1,5 Kg | 6 Kg / 2 Kg |

| | E9 Med / 18 ℓ | E9 Med / 24 ℓ |
|---------------------------------|-----------------|---------------|
| Temperature | 135,5°C | |
| Pressure | 2,16 bar | |
| Duration of sterilization phase | 18' | |
| Duration of dry phase | 15' | |
| Total duration average load | 71' | 70' |
| Maximum load solid/porous | 4,5 Kg / 1,5 Kg | 6 Kg / 2 Kg |

| | E9 Med / 18 ℓ | E9 Med / 24 ℓ |
|---------------------------------|-----------------|---------------|
| Temperature | 122,5°C | |
| Pressure | 1,16 bar | |
| Duration of sterilization phase | 20' | |
| Duration of dry phase | 15' | |
| Total duration average load | 73' | 70' |
| Maximum load solid/porous | 4,5 Kg / 1,5 Kg | 6 Kg / 2 Kg |

The times are understood to be without the dry phase .

the cycle more necessities.



| | E9 Med / 18 ℓ | E9 Med / 24 ℓ |
|---------------------------------|-----------------|---------------|
| Temperature | 135,5°C | |
| Pressure | 2,16 bar | |
| Duration of sterilization phase | 3'30" | |
| Duration of dry phase | 5' | |
| Total duration average load | 46' | 45' |
| Maximum load solid/porous | 0,6 Kg / 0,2 Kg | |

| | E9 Med / 18 ℓ | E9 Med / 24 ℓ |
|---------------------------------|-----------------|---------------|
| Temperature | 135,5°C | |
| Pressure | 2,16 bar | |
| Duration of sterilization phase | 18' | |
| Duration of dry phase | 5' | |
| Total duration average load | 61' | 60' |
| Maximum load solid/porous | 0,6 Kg / 0,2 Kg | |

| Test | Vacuum | Hélix | B&D |
|---------------------------------|-----------|-----------|-----------|
| Temperature | - | 135,5°C | 135,5°C |
| Pressure | -0,80 bar | 2,16 bar | 2,16 bar |
| Duration of sterilization phase | - | 3'30" | 3'30" |
| Duration of dry phase | - | - | - |
| Test duration 18 / 24 liters | 20' / 22' | 25' / 26' | 25' / 26' |

The times are understood to be without the dry phase.



The accessories of the E9 Med: practical, sure and easy to use.



New Aquafilter Device that produces deionised water for the autoclave and other pieces of equipment in a dental surgery in compliance with the EN13060 standard ($< 15 \mu\text{S}/\text{cm}$). Even more practical Aquafilter can rest on the worktop or inside a cabinet, or it can be wall-mounted or installed on the autoclave. An indicator light shows the water conductivity level allowing you to see when it's time to replace the resins at a glance. The control on the front allows you to supply water manually. Aquafilter deionises an average of 1 litre of water per minute. It can be equipped with an automatic shutoff device. Overall dimensions: 390x455x145 mm (LxHxD) Weight: 8,8 Kg (with full vessels).



E-Memory External memory for the storage, the management and the easy traceability of 48.000 sterilization cycles and control tests. The data of 9 different users may be setted and transferred on E9 and pc. Thanks to its unique software, they may be printed or sent by email. The report may be personalized with graphic logo and personal data of the studio.

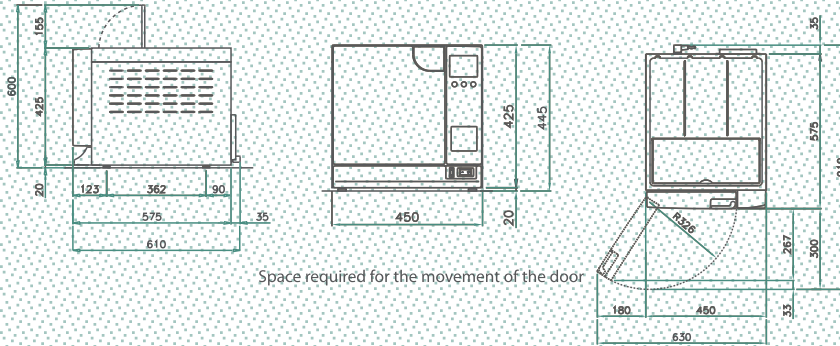


Aquadist Water distiller which allows to obtain distilled water by boiling and successive condensation of the vapour. Distils 0,7 ℓ of water per hour. Capacity 4 ℓ. Passes the safety and electromagnetic compatibility tests (89/336/EEC) and low tension (73/23/EEC). Size: 230X360 mm (ØxH).

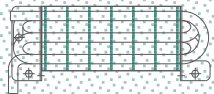
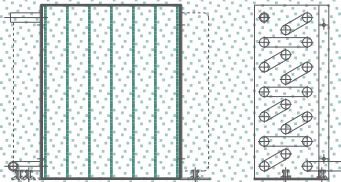
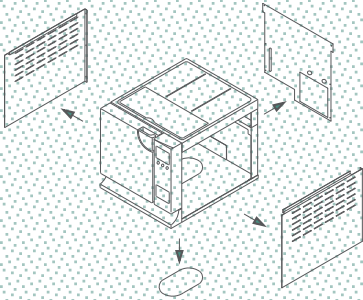


Sterilization test To guarantee you that the sterilization cycle was correctly carried out, Euronda suggests the control tests which evaluate: the capacity of the penetration of vapour in hollow (Helix, daily) and porous (Bowie & Dick, monthly) and the keeping of the pressure in the chamber (Vacuum, daily).

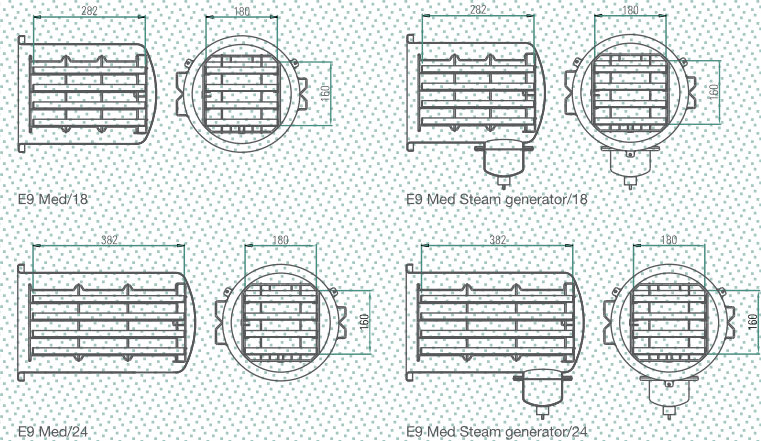
Total required space



Space required for the movement of the door



Usable space



Modular structure The water tanks can be completely opened and inspected; the lateral panels, made in light materials, are equipped by an easy an separate latch; the rear panel is independent and the base with a separate opening for the inspectionability of the steam generator guarantee and easy and quick access for the maintenance operations.

Cooling system The condensation system mounted on the rear of the E9 Med and cooled by a fan keeps the condensation exiting the chamber in its interior, cooling it and obtains the thermodynamic vacuum.

TABLE OF THE TECHNICAL INFORMATION OF THE E9 Med (EN13060)

| INFORMATION FOR THE INSTALLATION | E9 Med - 18 ℓ | E9 Med - 24 ℓ |
|---|--|---|
| External dimensions | 450 x 445 x 610 mm (LxHxD) | |
| Weight (empty water tanks and chamber) | 40 kg | 42 kg |
| Support panel weight (full chamber and water tanks) | 3,07 kg/cm ² (301210N/m ²) | 3,21 kg/cm ² (315384N/m ²) |
| Tension | 230 V | |
| Frequency | 50/60 Hz | |
| Absorbed power | 1700 W - 8 A | 2250 W - 10 A |
| Range | <ul style="list-style-type: none"> - Internal use - Altitude a 2000 m - Temperature: +5 ÷ +40°C - Relative humidity Max 85% - Max variation of tension: ±10% - Installation category II - Polluting level 2 | |
| USER INFORMATION | | |
| Dimensions and volume of chamber | 250 x 340 mm (ØxD) - 18 ℓ | 250 x 440 mm (ØxD) - 24 ℓ |
| Usable space dimensions | 180 x 160 x 282 mm (LxHxD) - 8 ℓ | 180 x 160 x 382 mm (LxHxD) - 11 ℓ |
| Volume of water used | 0,6 ℓ | |
| Capacity of water tanks (cleaned and used water) | 4 ℓ | |
| SAFETY INFORMATION | | |
| Medium noise level | < 50 db | |

Safety devices

Protection from short-circuit
 Protection from overheating
 Protection from over pressure
 Protection from accidental door opening
 Process evaluation system
 Self diagnostic system in real time

Documentation

User manual
 Declaration of conformity of chamber
 Declaration of conformity of autoclave
 Warranty certificate, 2 years or 1.500 cycles
 Installation table
 Service booklet

Conforms to unified norms

EN 13060
 EN ISO 14971
 EN 61010-1
 EN 61010-2-040
 EN 61326
 EN 13445

Certifications

Autoclave E9 Med
 Conforms to Directive:
 93/42/EEC and subsequent amendment
 2004/47/EC
 Class IIa medical device
 Chamber conforms to the Directive
 97/23/CEE
 Company certifications:
 ISO 9001
 ISO 13485



Headquarters: EURONDA SPA
36030 Montecchio Precalcino (Vicenza) Italy
Via dell'Artigianato, 7
tel. +39 0445 329811 - fax +39 0445 865246
info@euronda.com - www.euronda.it  Euronda SPA

Deutschland: EURONDA DEUTSCHLAND GMBH
48341 Altenberge
Siemensstraße, 46
tel. +49 2505 9389 0 - fax +49 2505 9389 29
info@euronda.de - www.euronda.de

España: EURONDA IBÉRICA 2012 S.L.
Número de atención al cliente: 900 10 20 34
info@euronda.es - www.euronda.es

France: EURONDA FRANCE EURL
95660 Champagne-sur-Oise
Z.A. du Paradis - 1, rue Lavoisier
tél. +33 1 30 34 50 27 - fax +33 1 30 34 48 02
info@euronda.fr - www.euronda.fr

Russia: Proteco ZAO
196128, St. Petersburg
5/2 Varshavskaya str.
tel./fax +7 (812) 635 88 90
info@protecodent.ru - www.protecodent.ru