



SINCE 1948: EXPERIENCE AND INNOVATION

**FARO S.p.A.** was founded by Osvaldo Favonio to construct equipment for dental units manufacturers, dental practices and laboratory. The production factory based in Ornago (MB) where design, research and development are carried out with the production team covers an indoor surface area of over 5.000 m<sup>2</sup>. The company is an international leader in its sector, a position that has been attained through keen perception of the market combined with technological research, and the typical "Made in Italy" construction capacity focused on meeting the requirements of dental units manufacturers, national and international distributors.

**Six production lines**

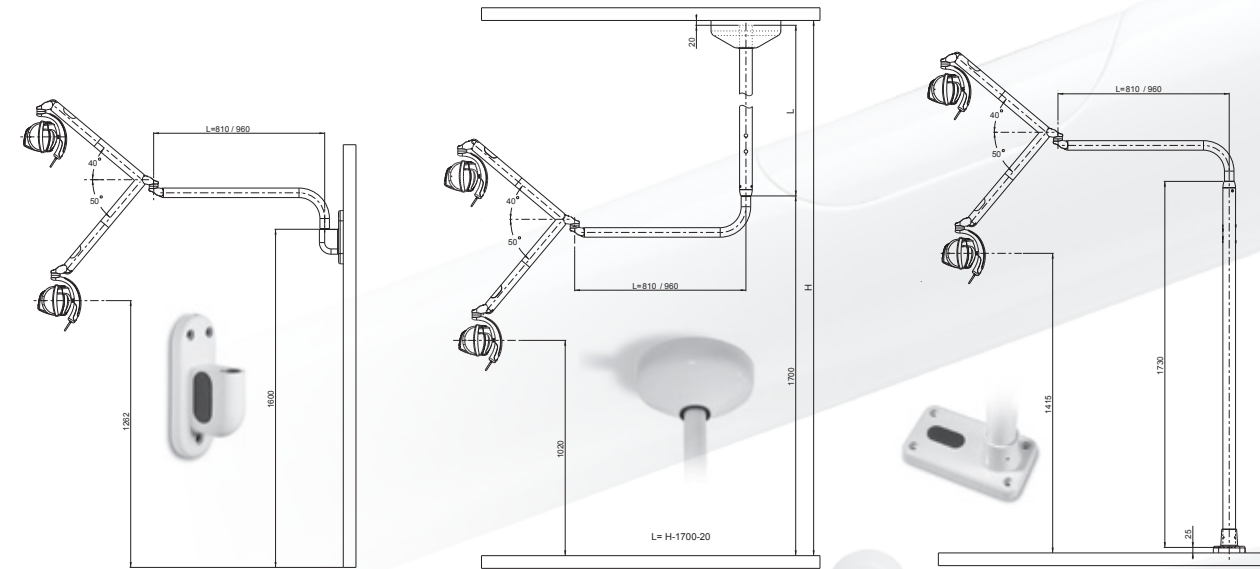
- **Illumination:** international leader in LED operating shadow-removing lights, offers the widest range of models to meet all requirements.
- **Components for dental units:** valves for instruments control, tubes and foot pedals.
- **Instruments for dental surgery:** turbines, handpieces, micromotors, syringes, scalars.
- **Sterilization:** class B autoclaves, water distillers, water treatment systems.
- **Products for dental laboratory:** motors, handpieces, micromotors, model trimmers.
- **Hi-Tech:** monitor for medical instruments, endoscopes, fixed and mobile monitor/pc holder arms, holders.

**Qualified pre and post-sales customer care, spare parts and repairs.**

**FARO is an international brand**

FARO products are present in over eighty countries in the world through a capillary network of agents and dealers.

**Two European branches since 2003:** France and Germany.



WALL APPLICATION

CEILING APPLICATION

FLOOR APPLICATION

## The exclusive accessories by FARO

**POLIBLOCK**

**Composite anti-polymerization filter**

- Easy to fit
- Modifies the light emission spectrum, avoiding the activation of composites
- Reduces the polymerizing effect over 99,9% on photo activator sensible resins between 360 and 520 nm
- Sterilizable at 121° C (guaranteed up to 40 cycles)



**BLUE-BAN & BABY BLUE-BAN**

**Glasses for adults and children**

- Full protection of delicate children's eyes and patients with eye diseases
- Unique adults size/unique children size
- Sterilizable at 121° C



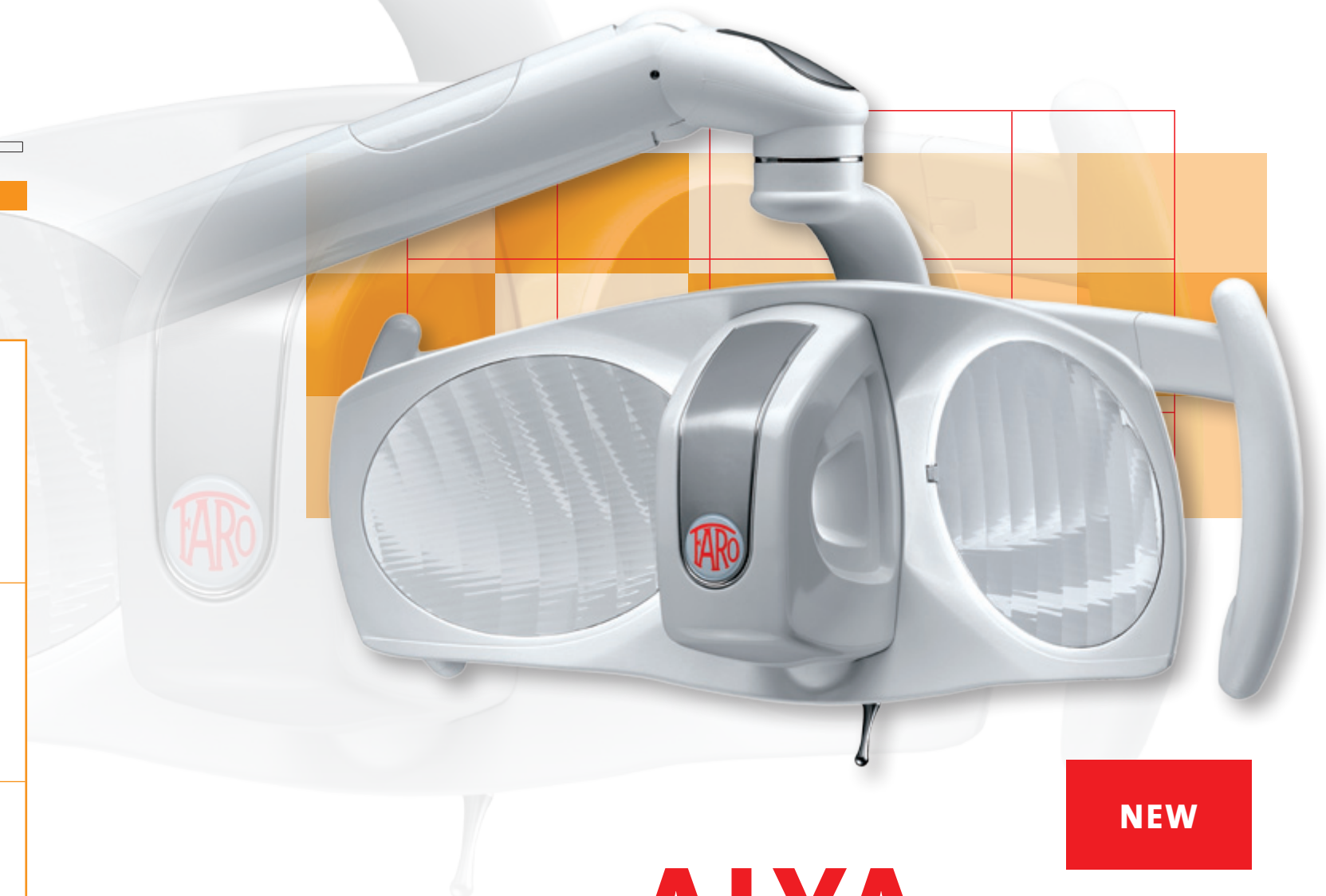
**PERFLEX**

**Dental lights detergent**

- New sanitizing composition
- Specific for dental cabinets
- Recommended to clean the reflecting parabolas and the parts in plastic
- Antistatic, non-polluting and biodegradable over 90%



SINCE 1948: EXPERIENCE AND INNOVATION



NEW

# ALYA

LED operating dental unit light

**NEW DESIGN**

**NEW LED** for the real perception of objects colours

**NEW PATENTED OPTICAL PROJECT** with reflected light

**NEW DIMENSION OF THE HEAD** for an amazing shadow-removing effect

**NEW ELECTRONICS** for a perfect control

**NEW ERGONOMIC HANDLES** sterilizable and easy to remove

M92001010 - REV. 04 - ING



**FARO S.p.A.** - via Faro, 15 - 20876 Ornago (MB) - Italy - Tel. +39 039.68781 - Fax +39 039.6010540 - [www.faro.it](http://www.faro.it)  
**FARO FRANCE** - Za Tgv Coriolis - 71210 Monchanin - France - Tel. +33 385.779680 - Fax +33 385.779688 - [www.farofrance.com](http://www.farofrance.com)  
**FARO DEUTSCHLAND GMBH** - Gewerbepark Heideckhof Heideckstr.179 D-47805 Krefeld - Germany - Tel. +49 2151.936921 - Fax 933 - [www.faro.it](http://www.faro.it)



SINCE 1948: EXPERIENCE AND INNOVATION



# ALYA

## The masterpiece by FARO, leader in shadow-removing lights

### THE LED (LIGHT EMITTING DIODE) TECHNOLOGY

The LED (primary source) is a semiconductor that emits (at equal electric power) more light than both the fluorescent lights and the tungsten filament lights. It replaces in an optimal way the traditional lights, lasts for an indefinite time and generates cold light (being free of infrared rays), eliminating the temperature increase from patient's face.



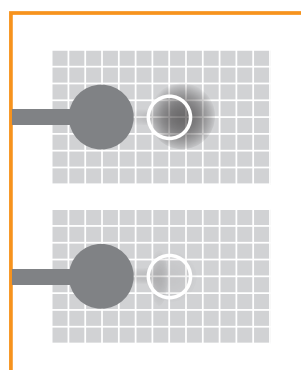
LED GROUP

### PATENTED OPTICAL PROJECT WITH REFLECTED LIGHT

Thanks to the exclusive optical project with reflected light, the 258 small reflecting facets of each of the two parabolas avoid the direct vision of the 2 LED, creating an absolutely uniform spotlight area of 180x90 mm. The accurate definition of the spotlight removes the glare protecting your patients' eyes.

### THE SHADOW-REMOVING EFFECT

Optimal light on the operating field, reducing to minimum the shadow produced by the instrument interposed between the light and the field. The new FARO light produces the absolutely smallest net shadow: an ellipse of 6x3 mm, i.e. only 1/6 of the area requested by the standard, that accepts a net shadow of 12 mm diameter.



∅ 12 mm Maximum net shadow dimension: requirement requested by standards.

FARO SHADOW-REMOVING EFFECT: THE VERY SMALL SHADOW (A 6x3 MM ELLIPSE) IS EQUIVALENT TO A 1/6 OF THE DIMENSION ACCEPTED BY STANDARDS.

### CHROMATIC PERFORMANCE (CRI)

The standard states that the lamp light must have a CRI index higher than 85; the index of the new ALYA lamp gives a typical value of 95, assuring a colour performance never achieved in LED operating lights. The new LED, besides a high chromatic performance given by the reduction of the blue colour component in favour of the red component, limit the potential photochemical risk.

### LIGHTING

The light intensity produced is between 3.000 and 50.000 lux.

### THE PROGRESSIVE REGULATION OF LIGHT INTENSITY

It's provided with an advanced electronic device that manages this function, in order to assure a constant colour temperature (equal to 5.000 K) at every level of brightness (from 3.000 to 50.000 lux). The advanced electronic control eliminates the risks caused by the stroboscopic effect.



INTENSITY REGULATOR

### HANDLES

Removable and sterilizable handles.



REMOVABLE HANDLES

### STANDARD ARM COLORS

RAL 9002 - RAL 9010 - Powder White



## Technical Features

### GENERAL FEATURES

**Power supply:** 17 - 24 Vac 50/60 Hz - 22 - 35 Vdc

**Power supply with transformer:** 230 V - 50/60 Hz

**Absorbed power:** max 26 VA

**Silent:** it doesn't need fan

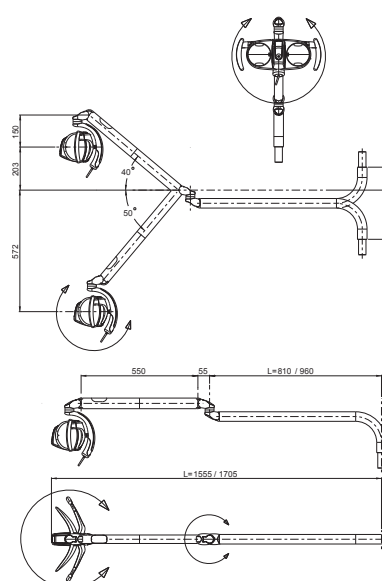
Medical Device complies with Directive 93/42/CE and s.m.i. - Medical devices - class I  
Applied Standards: EN 60601-1, EN 60601-1-2, EN 60825, EN 62471; Guaranteed 24 months

NOTICE: all technical specifications showed in this folder are typical values subject to tolerance

### ELECTRONICS CONTROL

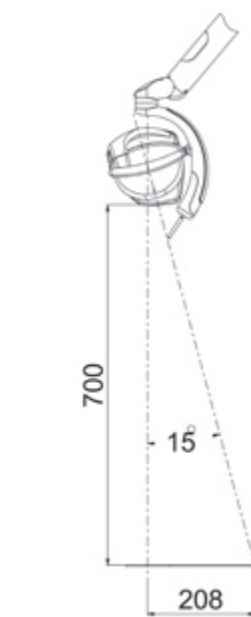
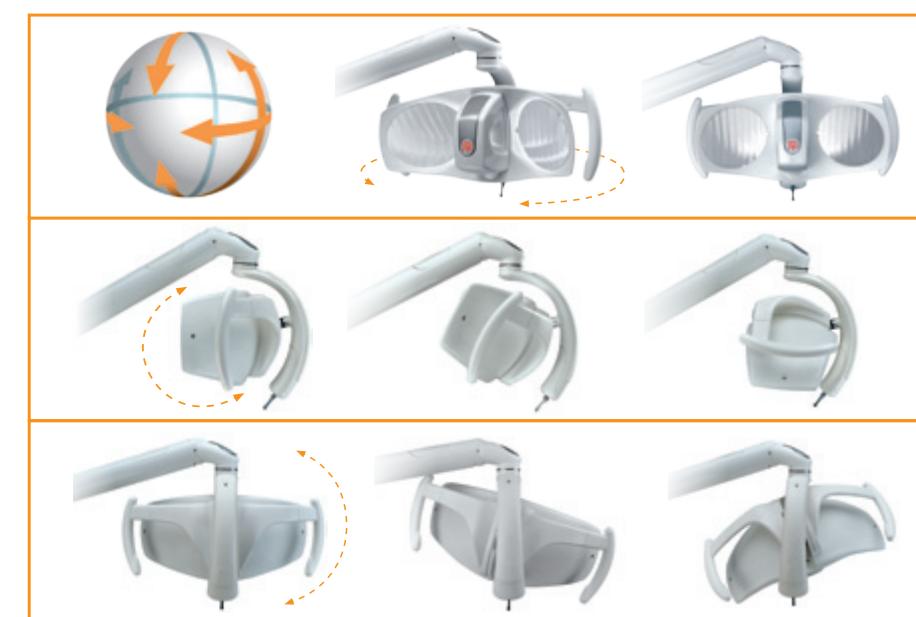
- Switching control and dimming: micro-joystick on the head;
- Switching control and dimming version also from unit, or by foot control;
- Proximity sensor with permanent memory and dimming management;
- Electronic lighting regulation through microprocessor;
- Remote control from the unit: allows to repeat all joystick functions;
- Automatic memorization of used light intensity, also after unit power off or 'rinse' function;
- Sound signal at minimum and maximum light intensity;
- Exclusive 'one touch' regulation (composite position) to reach the minimum intensity with a simple 'click'.

CE Medical Device complies to the directive 93/42/CE  
FARO SPA Ornago (Italy)



DIMENSIONS

## Third axis rotation



ROTATION ANGLE

### FARO HANDINESS

The perfect balancing, combined with the exclusive head rotation system on the optical axis, assures the best precision in the orientation of the light beam, reducing the risk of an accidental patient dazzling.

## ALYA grey

Version with grey inlays

